

Terminator™ II TMCX - for armoured / non-armoured cable

Technical specification



Suitable for the following cable types

- Metal clad cable: MC, MC-HL
- Non-armoured and tray cable: ITC-HL, TC, TC-ER, TC-ER-HL, PLTC
- TECK cable

Certifications and compliances

Class I Division 1 groups A, B, C, D
Class II Groups E, F, G
Class III
NEMA 6P (up to trade size 1 1/4" NPT and metric equivalent)
NEMA 4 (above trade size 1 1/4" NPT and metric equivalent)
Nickel-plated brass and stainless steel are NEMA4X rated.
cULus Listed: E122485

Material:

Aluminum as standard material with neoprene seal.
316 stainless steel and nickel-plated brass construction available.
Chico® LiquidSeal liquid compound with fast gel and cure times to reduce waiting time. Also available with regular TSC epoxy sealing compound*.
Aluminum sizes 1/2" to 1 1/4" NPT available in bulk packs.

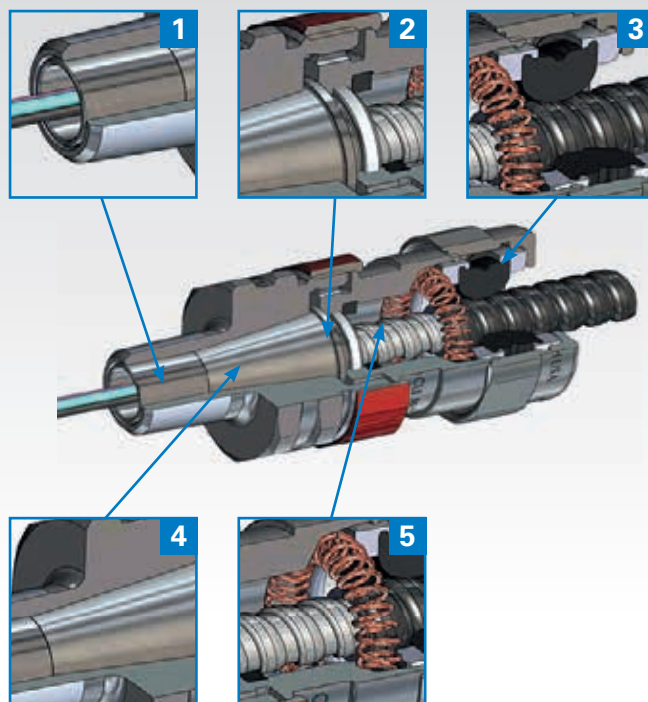
Operating temperature:

-40°C to +60°C
For specific temperature information, please contact your local representative.

*For details of Chico® LiquidSeal liquid compound, TSC epoxy sealing compound and Cold Shrink kits, please see page 42.



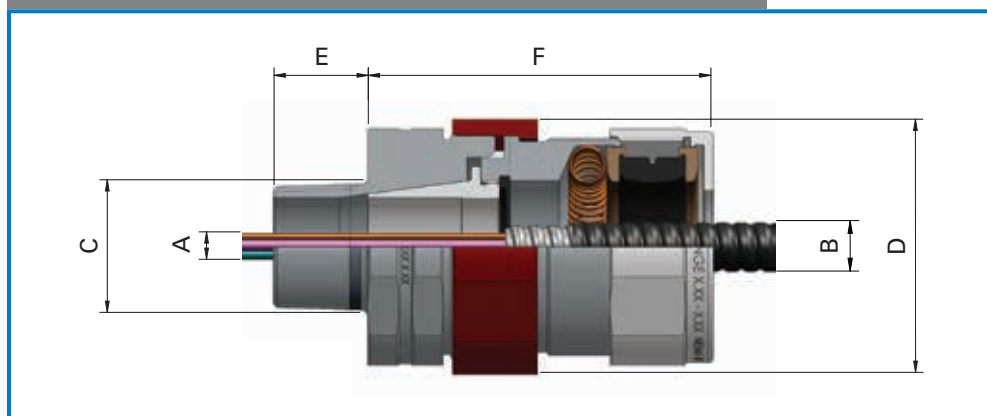
Features and benefits



- 1:** Choice of liquid or putty compound allows rapid curing and facilitates non-vertical applications. Includes compound dam.
- 2:** Splined shaft ensures the two assemblies lock together and do not rotate, preventing need for two tools to be used.
- 3:** Back nut / cap nut and environmental seal are captive, retaining entry end components.
- 4:** Conical compound chamber ensures perfect flame path every time.
- 5:** Integral union allows for a two-piece assembly gland, minimizing tightening and loosening of nuts, improving assembly time. Red anodized union nut is visible in any orientation for quick identification of Ex gland.

Terminator™ II TMCX - order codes and dimensions

Dimensions



TMCX II BULK PACK GLANDS		
CATALOG NUMBER	DESCRIPTION	STANDARD CARTON QUANTITY
TMCX050 0 BULK	1/2" TMCX II SIZE 0	20
TMCX050 1 BULK	1/2" TMCX II SIZE 1	20
TMCX050 2 BULK	1/2" TMCX II SIZE 2	20
TMCX075 0 BULK	3/4" TMCX II SIZE 0	15
TMCX075 1 BULK	3/4" TMCX II SIZE 1	15
TMCX075 2 BULK	3/4" TMCX II SIZE 2	15
TMCX100 0 BULK	1" TMCX II SIZE 0	15
TMCX100 1 BULK	1" TMCX II SIZE 1	10
TMCX100 2 BULK	1" TMCX II SIZE 2	10
TMCX125 1 BULK	1 1/4" TMCX II SIZE 1	10

SERIES	THREAD SIZE	CABLE SEALING RANGE	MATERIAL	SEALING TYPE	VARIANT CODES	
					Code	Description
TMCX	050	1	NP	L	L	Liquid compound
					BLANK	TSC compound
					NP	Nickel-plated brass
					SS	Stainless steel
			BLANK	Aluminum		

The Terminator™ II TMCX in aluminum, sizes 1/2" to 1 1/4" NPT is also available in bulk packed glands without compound. For details of Chico® LiquidSeal liquid compound, TSC epoxy sealing compound and Cold Shrink kits, please see page 42.

SELECTION TABLE					DIMENSIONS								CATALOG NUMBER NPT	CATALOG NUMBER ISO
THREAD SIZE 'C'	THREAD SIZE CODE	THREAD SIZE 'C'	THREAD SIZE CODE	CABLE SEALING RANGE	OVER COND O.D. MAX	ARMOUR O.D. 'A'		CABLE O.D. 'B' †		ACROSS CORNERS 'D'	LENGTH 'F'	THREAD LENGTH 'E' NPT		
						MIN	MAX	MIN	MAX					
1/2"	50	20	M20	0	0.480	0.36 (9.14)	0.66 (16.76)	0.45 (11.43)‡	0.70 (17.78)	1.44 (36.51)	0.89 (22.61)	2.93 (74.42)	TMCX050 0	TMCXM20 0
1/2"	50	20	M20	1	0.480	0.40 (10.16)	0.86 (21.84)	0.49 (12.45)	0.90 (22.86)	1.75 (44.45)	1.00 (25.40)	3.05 (77.47)	TMCX050 1	TMCXM20 1
1/2"	50	20	M20	2	0.480	0.56 (14.22)	1.14 (28.96)	0.65 (16.51)	1.18 (29.97)	2.25 (57.15)	1.00 (25.40)	3.18 (80.77)	TMCX050 2	TMCXM20 2
3/4"	75	25	M25	0	0.713	0.36 (9.14)	0.66 (16.76)	0.45 (11.43)‡	0.70 (17.78)	1.63 (41.28)	0.90 (22.86)	2.93 (74.42)	TMCX075 0	TMCXM25 0
3/4"	75	25	M25	1	0.713	0.40 (10.16)	0.86 (21.84)	0.49 (12.45)	0.90 (22.86)	1.75 (44.45)	1.00 (25.40)	3.05 (77.47)	TMCX075 1	TMCXM25 1
3/4"	75	25	M25	2	0.713	0.56 (14.22)	1.14 (28.96)	0.65 (16.51)	1.18 (29.97)	2.25 (57.15)	1.00 (25.40)	3.18 (80.77)	TMCX075 2	TMCXM25 2
1"	100	32	M32	0	0.713	0.40 (10.16)	0.86 (21.84)	0.49 (12.45)‡	0.90 (22.86)	1.75 (44.45)	1.08 (27.40)	3.13 (79.50)	TMCX100 0	TMCXM32 0
1"	100	32	M32	1	0.939	0.56 (14.22)	1.14 (28.96)	0.65 (16.51)	1.18 (29.97)	2.25 (57.15)	1.08 (27.40)	3.18 (80.77)	TMCX100 1	TMCXM32 1
1"	100	32	M32	2	0.939	0.78 (19.81)	1.35 (34.29)	0.87 (22.10)	1.39 (35.31)	2.56 (65.02)	1.08 (27.40)	3.30 (83.82)	TMCX100 2	TMCXM32 2
1 1/4"	125	40	M40	1	1.172	0.78 (19.81)	1.35 (34.29)	0.87 (22.10)	1.39 (35.31)	2.56 (65.02)	1.08 (27.40)	3.30 (83.82)	TMCX125 1	TMCXM40 1
1 1/4"	125	40	M40	2	1.150	0.94 (23.87)	1.67 (42.41)	1.03 (26.16)	1.65 (41.91)	3.73 (94.74)	1.25 (31.75)	4.71 (119.63)	TMCX125 2	TMCXM40 2
1 1/2"	150	50	M50	1	1.370	0.94 (23.87)	1.67 (42.41)	1.03 (26.16)	1.65 (41.91)	3.73 (94.74)	1.25 (31.75)	4.71 (119.63)	TMCX150 1	TMCXM50 1
1 1/2"	150	50	M50	2	1.370	1.28 (32.51)	1.97 (50.03)	1.53 (38.86)	2.07 (52.58)	4.11 (104.39)	1.25 (31.75)	4.71 (119.63)	TMCX150 2	TMCXM50 2
2"	200	63	M63	1	1.760	1.28 (32.51)	1.97 (50.03)	1.53 (38.86)	2.07 (52.58)	4.11 (104.39)	1.25 (31.75)	4.71 (119.63)	TMCX200 1	TMCXM63 1
2"	200	63	M63	2	1.760	1.67 (42.41)	2.62 (66.54)	1.81 (45.97)	2.72 (69.09)	4.98 (126.49)	1.25 (31.75)	5.63 (143.00)	TMCX200 2	TMCXM63 2
2 1/2"	250	75	M75	1	2.140	1.67 (42.41)	2.62 (66.54)	1.81 (45.97)	2.72 (69.09)	4.98 (126.49)	1.81 (45.97)	5.63 (143.00)	TMCX250 1	TMCXM75 1
2 1/2"	250	75	M75	2	2.140	2.11 (53.59)	2.95 (74.93)	2.34 (59.44)	3.13 (79.50)	5.61 (142.49)	1.81 (45.97)	5.80 (147.32)	TMCX250 2	TMCXM75 2
3"	300	90	M90	1	2.690	2.11 (53.59)	2.95 (74.93)	2.34 (59.44)	3.13 (79.50)	5.61 (142.49)	1.81 (45.97)	5.80 (147.32)	TMCX300 1	TMCXM90 1
3"	300	90	M90	2	2.690	2.45 (62.23)	3.39 (86.10)	2.68 (68.07)	3.61 (91.69)	6.23 (158.24)	1.81 (45.97)	6.26 (159.00)	TMCX300 2	TMCXM90 2
3 1/2"	350	110	M110	1	3.130	2.45 (62.23)	3.39 (86.10)	2.68 (68.07)	3.61 (91.69)	6.23 (158.24)	1.94 (49.28)	6.26 (159.00)	TMCX350 1	TMCXM110 1
3 1/2"	350	110	M110	2	3.570	3.05 (77.47)	4.22 (107.18)	3.13 (79.50)	3.97 (100.84)	6.73 (170.94)	1.94 (49.28)	6.52 (165.61)	TMCX350 2	TMCXM110 2
4"	400	-	-	1	3.130	2.45 (62.23)	3.39 (86.10)	2.68 (68.07)	3.61 (91.69)	6.23 (158.24)	2.00 (50.80)	6.26 (159.00)	TMCX400 1	-
4"	400	-	-	2	3.570	3.05 (77.47)	4.22 (107.18)	3.13 (79.50)	3.97 (100.84)	6.73 (170.94)	2.00 (50.80)	6.52 (165.61)	TMCX400 2	-

All dimensions in inches, metric millimeters (mm) shown in parentheses

† When making your cable selection based on cable O.D., be sure to also observe the Over Conductors O.D. dimension.

‡ Minimum cable O.D. for CSA certification is 0.49 (12.45) for TMCX050 0 and TMCX075 0; 0.57 (14.48) for TMCX100 0.

Terminator™ II TMCX - accessories

Chico® LiquidSeal liquid compound

Mixing time: 2 minutes

Application: pour/gun

Gel time: 15-30 minutes*

Full cure/return to service time: 2 hours*

Available for installation in vertical position

Integral dam means no packing or taping to prevent liquid



CHICO® LIQUIDSEAL LIQUID COMPOUND

CATALOG NUMBER	SIZE (ml.)	STANDARD CARTON QUANTITY
LSC 10	10 ml.	10
LSC 20	20 ml.	10
LSC 75	75 ml.	5

Chico® LiquidSeal 200ml cartridge

Easily and quickly pour multiple glands

Self-mixing nozzles

Gel time: 15-30 minutes*

Full cure/return to service time: 2 hours*

Can be stored between uses**

*At +20°C ambient temperature

**Additional tips may be required



Applicator gun

Applicator gun available at many retailers - ask for 200ml dual cartridge applicator gun.

CHICO® LIQUIDSEAL LIQUID COMPOUND CARTRIDGE AND MIXING NOZZLES

CATALOG NUMBER	DESCRIPTION	STANDARD CARTON QUANTITY
LSC200CART	200 ml. LIQUID COMPOUND CARTRIDGE AND 3 MIXING NOZZLES	1
LSCTIP	REPLACEMENT MIXING NOZZLES	5

TSC epoxy sealing compound

Mixing time: 5 minutes

Application: by hand

Full cure time: 24 hours

Available for installation in any orientation



TSC EPOXY SEALING COMPOUND

CATALOG NUMBER	SIZE (ml.)	STANDARD CARTON QUANTITY
TSC05	0.5 oz.	10
TSC1	1.0 oz.	10
TSC4	4.0 oz.	5

Cold Shrink™ corrosion protection kits

COLD SHRINK TABLE

THREAD ENTRY SIZE NPT (TMCX, TMC)	CATALOG NUMBER NPT TMCX II	CATALOG NUMBER ISO TMCX II	COLD SHRINK KIT
1/2"	TMCX050 0	TMCXM20 0	TMC-K1
1/2"	TMCX050 1	TMCXM20 1	TMC-K1
1/2"	TMCX050 2	TMCXM20 2	TMC-K1
3/4"	TMCX075 0	TMCXM25 0	TMC-K2
3/4"	TMCX075 1	TMCXM25 1	TMC-K2
3/4"	TMCX075 2	TMCXM25 2	TMC-K2
1"	TMCX100 0	TMCXM32 0	TMC-K3
1"	TMCX100 1	TMCXM32 1	TMC-K3
1"	TMCX100 2	TMCXM32 2	TMC-K3
1 1/4"	TMCX125 1	TMCXM40 1	TMC-K4
1 1/4"	TMCX125 2	TMCXM40 2	TMC-K4
1 1/2"	TMCX150 1	TMCXM50 1	TMC-K5
1 1/2"	TMCX150 2	TMCXM50 2	TMC-K5
2"	TMCX200 1	TMCXM63 1	TMC-K6
2"	TMCX200 2	TMCXM63 2	TMC-K6
2 1/2"	TMCX250 1	TMCXM75 1	TMC-K7
2 1/2"	TMCX250 2	TMCXM75 2	TMC-K7
3"	TMCX300 1	TMCXM90 1	TMC-K8
3"	TMCX300 2	TMCXM90 2	TMC-K8
3 1/2"	TMCX350 1	TMCXM110 1	TMC-K9
3 1/2"	TMCX350 2	TMCXM110 2	TMC-K9
4"	TMCX400 1	-	TMC-K10
4"	TMCX400 2	-	TMC-K10

For TMCX and TMC ordering codes, see the relevant product pages.

Cold Shrink™ Corrosion Protection Kits are specially designed for Crouse-Hinds TMC, TMCX and TECK fittings to provide protection against corrosive elements like salt spray and moisture.

The TMC-K kit is made of a Cold Shrink material that is quick and easy to install on the gland. The Cold Shrink material is made of EPDM rubber that contains no chlorides or sulphurs. The protection kit installs easily over the gland without the use of a heat source to shrink the material tightly over the seal. The Cold Shrink material can be removed easily from the gland by simply cutting it off.

See ordering information for complete offering of TMC-K Cold Shrink kits for corrosion protection. Cold Shrink is a registered trademark of the 3M Company.